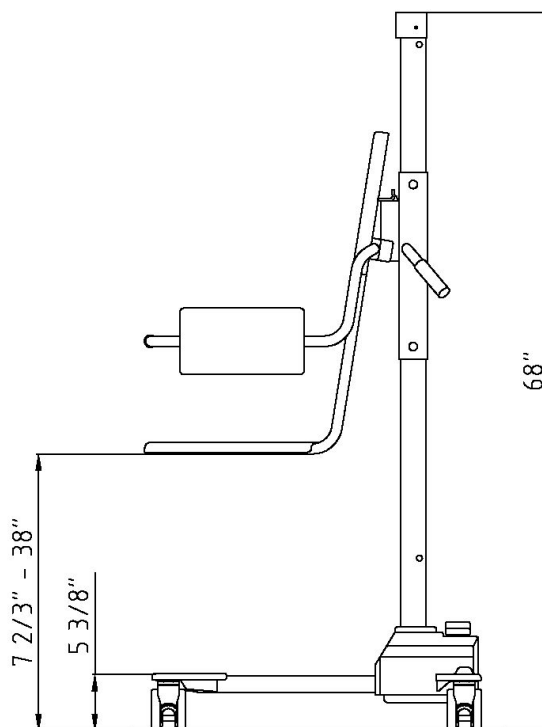
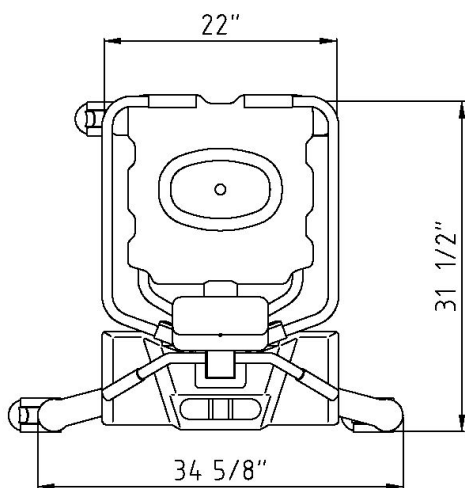
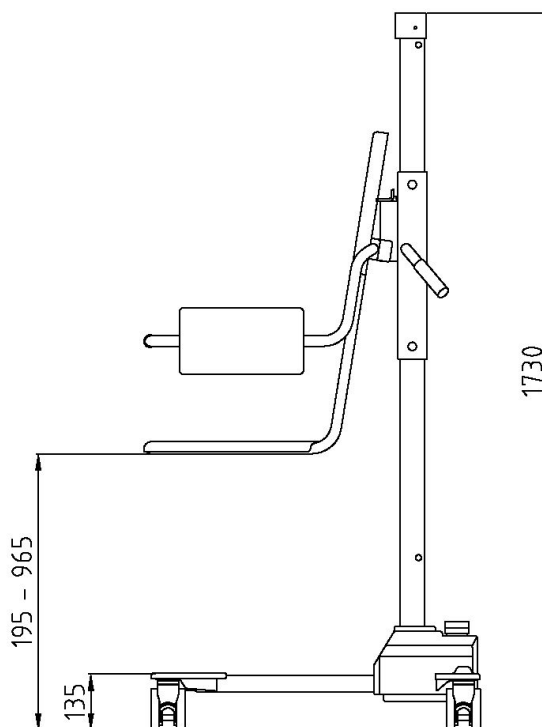
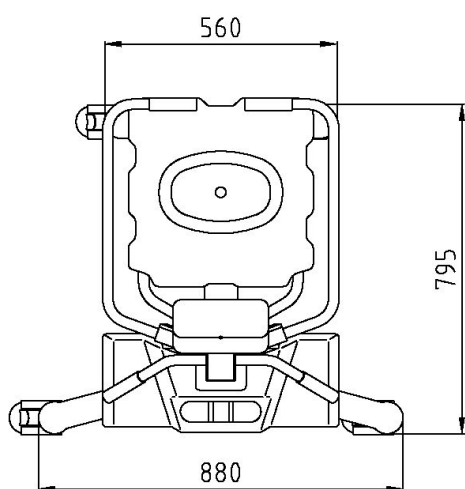


# TR 9650

## Mobile patient chairlift



### Product measurements



#### TR EQUIPMENT

TR EQUIPMENT AB PO Box 116, S-573 22, TRANÅS, SWEDEN  
 TR GROUP INC. 2990 NORTH PERRYVILLE RD, STE 2300, ROCKFORD, IL 61107, USA  
 TR EQUIPMENT UK LTD. INNOVATION CENTRE, GALLOW'S HILL, WARWICK CV34 6UW ENGLAND  
 TRANSPORHAMED GMBH GRÜNBAUMSTR. 89 42659 SOLINGEN. GERMANY

Phone: +46 140-38 50 60 Fax: +46 140-38 50 61  
 Phone: +1 800-752-6900 Fax: +1 815 633-0549  
 Phone: +44 844 335 8386 Fax: +44 844 335 8383  
 Phone: +49 (0) 212-645850-0 Fax: +49 (0)212-645850-50

*Hygiene Equipment Designed for People*

[www.trequipment.com](http://www.trequipment.com)

