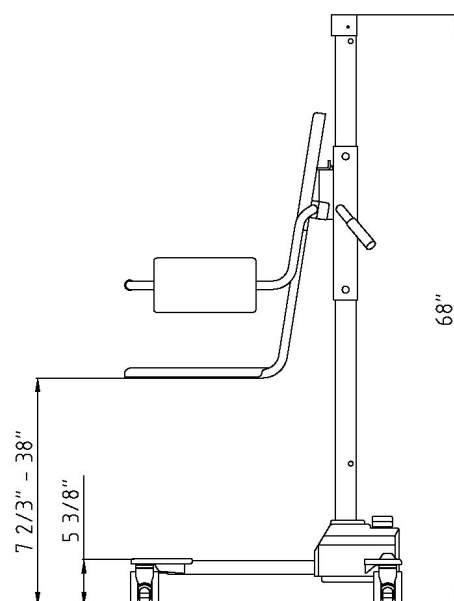
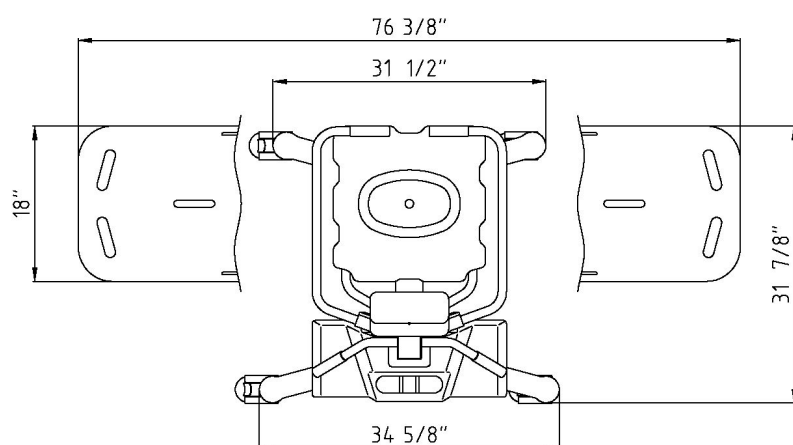
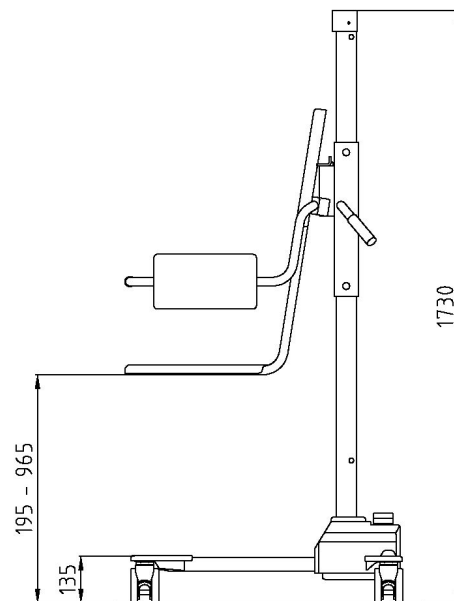
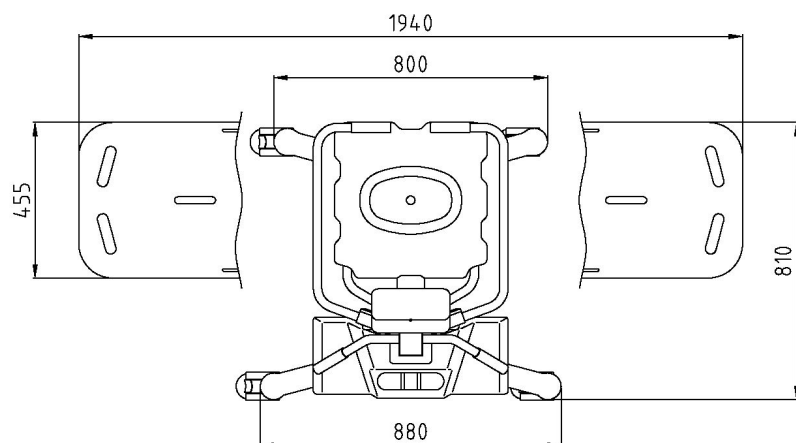


TR 9650

Mobile patient combilift



Product measurements



TR EQUIPMENT

TR EQUIPMENT AB PO Box 116, S-573 22, TRANÅS, SWEDEN
 TR GROUP INC. 2990 NORTH PERRYVILLE RD, STE 2300, ROCKFORD, IL 61107, USA
 TR EQUIPMENT UK LTD. INNOVATION CENTRE, GALLOW'S HILL, WARWICK CV34 6UW ENGLAND
 TRANSPORHAMED GMBH GRÜNBAUMSTR. 89 42659 SOLINGEN. GERMANY

Phone: +46 140-38 50 60 Fax: +46 140-38 50 61
 Phone: +1 800-752-6900 Fax: +1 815 633-0549
 Phone: +44 844 335 8386 Fax: +44 844 335 8383
 Phone: +49 (0) 212-645850-0 Fax: +49 (0)212-645850-50

Hygiene Equipment Designed for People

www.trequipment.com

